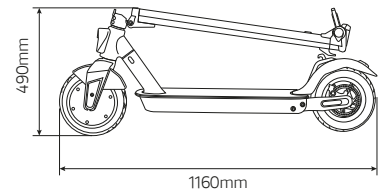
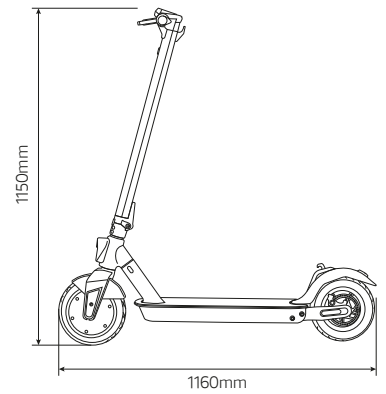




Urban  
e-Mobility

**PRO-11**  
electric scooter



Tubeless wheel 10"



Wide LCD display 3.5



Independent rear shock

## Technical specifications

Product Sku: **MN-DUC-PRO2**  
Ean Code: **8052870480309**

Basic info	
Frame material	magnesium alloy frame
Shock	rear
Speed	ECO: <= 6km/h   D: <= 20km/h   S: <= 25km/h (max speed)
Maximum gradient	15%
Brakes	dual brake: front e-brake and rear disc brake
Power engine	350W
Tyre	10" tubeless front and rear
Low voltage protection	31V +/- 0.5V
Current limit	13A
Engine type	brushless
Max load	100kg
Safety information	from 14 years of age, 140/190cm height max, recommended use with helmet and protection.
Working Temperature	0°C / 45°C
Level of protection	IPX4
Charging time	about 5/6 hours
Autonomy	35km (routes at an average speed of 15km/h subject to be variable by rider weight, road condition, temperature etc.)

Electric system	
Engine	350W Brushless
Brake	front electric brake
Display	3.5" LCD display
Battery	36V, 7.8Ah, 280Wh
Lights	LED front and rear lights
Charger	EU Standard DC 2.1 Charger, 42V 2A

Dimensions and Weights	
Net weight	15.2kg
Gross weight	18.1kg
Unit size	1160 x 473 x 1150mm
Folding size	1160 x 473 x 490mm
Carton size	1195 x 190 x 510mm