



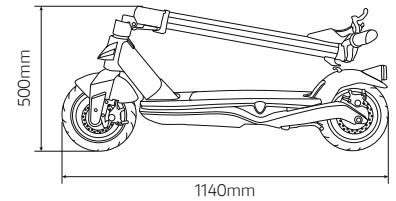
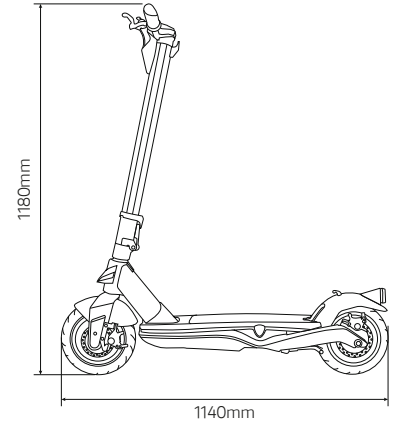
Urban  
e-Mobility

**PRO-III**  
electric scooter



Equipped with  
turn signal lights

Download the Ducati Urban e-Mobility  
app for a better use of the product



10" tubeless tyres



Wide 3.5" LED display with USB port



Front and rear disc brake with KERS

## Technical specifications

Product Sku: **DU-MO-210013**  
Ean Code: **8056711530703**

Basic info	
Frame material	magnesium alloy
Speed*	L1: 6km/h   L2: 15km/h   L3: 20km/h   L4: 25km/h (max speed)
Maximum gradient**	20%
Brakes	front and rear disc brake, KERS
Motor power	350W, 18.9Nm
Tyres	10" tubeless tyres
Low voltage protection	30.5-32V
Current limit	18A
Motor type	brushless
Max load	100kg
Riding requirements	Consult the laws and regulations currently in force in your country.
Working Temperature	0°C / 45°C
Level of protection	IPX4
Charging time	about 8 hours
Range**	up to 50km

Electric system	
Motor	350W Brushless, Peak Power 515W
Display	3.5" LED display with USB port
Battery	36V, 13.0Ah, 468Wh
Lights	front and rear LED lights
Charger	EU Standard DC 2.1, 42V 1.5A
Bluetooth	connection through user app
NFC	contactless key

Dimensions and Weights	
Net weight	17.5Kg
Gross weight	20.6Kg
Unit size	1140 x 520 x 1180mm
Folding size	1140 x 520 x 500mm
Carton size	1165 x 210 x 540mm

\* Always respect the highway code and the regulations in force in the country of use.  
\*\* Subject to variations based on driver weight, road conditions and temperature.